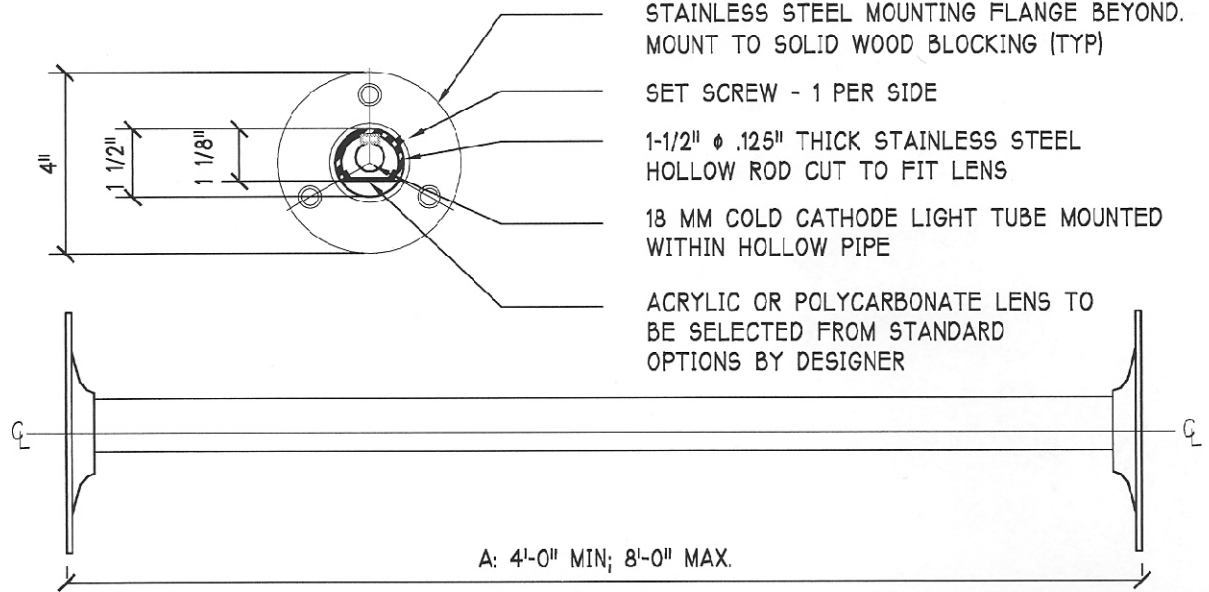


CLOSET [®]

ROD LIGHT

Project Name: _____



STAINLESS STEEL MOUNTING FLANGE BEYOND.
 MOUNT TO SOLID WOOD BLOCKING (TYP)

SET SCREW - 1 PER SIDE

1-1/2" ϕ .125" THICK STAINLESS STEEL
 HOLLOW ROD CUT TO FIT LENS

18 MM COLD CATHODE LIGHT TUBE MOUNTED
 WITHIN HOLLOW PIPE

ACRYLIC OR POLYCARBONATE LENS TO
 BE SELECTED FROM STANDARD
 OPTIONS BY DESIGNER

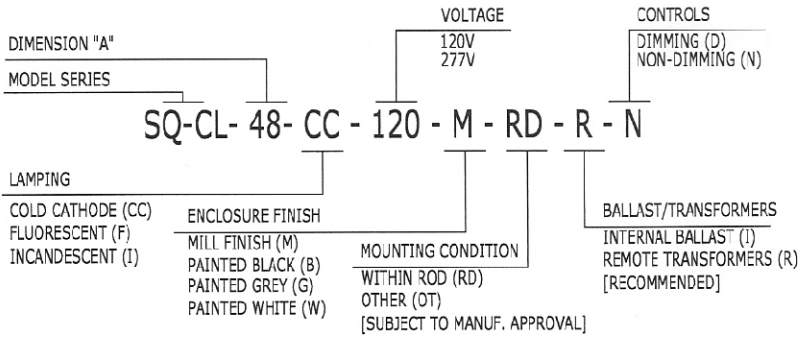
SQ - CL - 000 - 000 - 000 - 000 - 000 - 000 - 000 - _____

(INDICATE MODIFICATION TO
 STANDARD WITH "MOD")

MODIFICATIONS

- _____ CUSTOM ENCLOSURE SHAPES, LIGHTING COLORS AND
- _____ PAINT COLORS CAN BE ACCOMMODATED AT ADDITIONAL
- _____ COST. CONTACT THE MANUFACTURER
- _____
- _____

SPECIFICATION GUIDE



GENERAL NOTES

- 1) AVAILABLE FOR DIMMING AND NON-DIMMING APPLICATIONS. IF DIMMING, ASSOCIATED CONTROLS BY OTHERS
- 2) STANDARD LIGHTING COLOR OPTIONS: ONE OF SQUARE 1 PRECISION LIGHTING(R) STANDARD WHITE COLORS
- 3) VERIFY PRIMARY VOLTAGE FOR TRANSFORMER COMPATIBILITY
- 4) MILL FINISH IS HORIZONTALLY SANDED
- 5) CUSTOM ENCLOSURE SHAPES, LIGHTING COLORS AND PAINT COLORS CAN BE ACCOMMODATED AT ADDITIONAL COST. CONTACT THE MANUFACTURER
- 6) END SUPPORT OR INTERMEDIATE SUPPORTS TO BE PROVIDED BY OTHERS. PROVIDE INTERMEDIATE SUPPORTS @ 5'-0" O.C. MAX. OR AT THE MID POINT (WHICHEVER IS LESS).
- 7) MINIMUM LENGTH OF FIXTURE: 4'-0"
- 8) MAXIMUM LENGTH OF FIXTURE 8'-0"
- 9) TO BE INSTALLED WITH REMOTE TRANSFORMER(S). LOADING, SELECTION & QUANTITY OF TRANSFORMERS TO BE DETERMINED BASED UPON LAYOUT, QUANTITY AND PROXIMITY OF MULTIPLE FIXTURES TO EACH OTHER.
- 10) PRIMARY VOLTAGE OF TRANSFORMERS TO BE 120V UNLESS REQUESTED OTHERWISE.

Square 1 Precision Lighting [®]
 4300 W. North Avenue. Stone Park, Illinois 60165 (708 343-1500) (708 343-1562)
 www.sq1pl.com or www.coldcathode.com